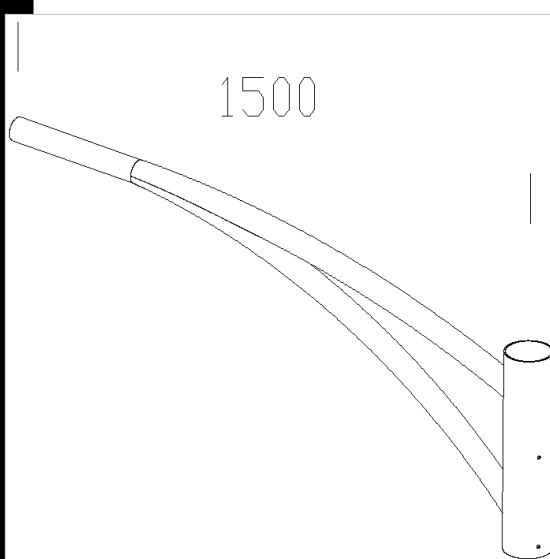


400 Braccio Aliante

Braccio a palo per Monza. Da utilizzare con palo art. 1475/1476.



Download

- DXF 2D
- 400.dxf
- 3DS
- disano_400_aliante.3ds
- 3DM
- disano_400_aliante.3dm
- Montaggi
- 1475-1476-400-405-406 01-11.pdf

Code	Kg	WTot	Colour
991422-00	18,00	0 W	GREY9007
991423-00	18,00	0 W	GRAFITE

Pali



- 1476 Aliante - palo rastremato



- 1475 Aliante - palo rastremato

Prodotti



- 1755 Monza - con vetro piatto



- 3752 Metropolis - LED



- 3751 Metropolis - LED -
Diffondente

The reported luminous flux is the flux emitted by the light source with a tolerance of $\pm 10\%$ compared to the indicated value. The W tot column indicates the total wattage absorbed by the system without exceeding 10% of the indicated