

## Cover T5 - Design Paolo Bistacchi

A series of fixtures for interior wall mounting with T5 lamps. Their extremely rapid and easy installation together with their simple yet elegant design, make this series of products ideal for offices, lobbies and open-space areas. Their tasteful design and luminous efficiency create lighting effects full of atmosphere.

Housing: Extruded aluminium.

Reflector: Adjustable angle frosted opal polycarbonate diffuser

Lampholder: Polycarbonate with phosphorous bronze contacts

Electric gear: 230V/50Hz power supply with electronic ballast. Hard wire, cross section 0.50 sqmm, and high-temperature resistant (up to 90°C) PVC-HT sheath, in accordance with CEI 20-20 standards. 2P + T terminal block (maximum allowed lead cross section 2.5 sqmm.)

Equipment: Mounting plate separated from the electric gear tray by means of a knife switch for easy installation and maintenance.

Lamps: Complete with high performance T5 lamps

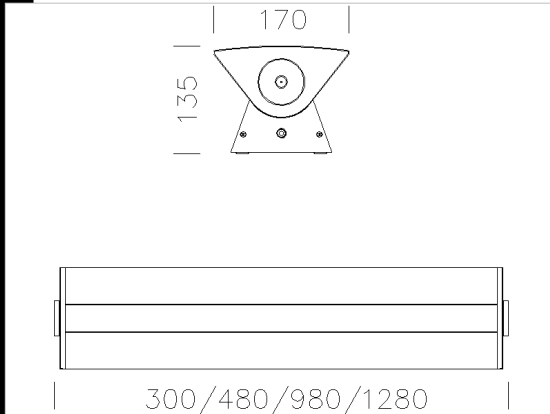
Emergency version: In the event of a blackout, one lamp connected to the emergency circuit remains on, thus avoiding the inconvenience usually caused by sudden power failure. Its emergency run time is 180 minutes. When power supply is restored, the battery recharges automatically.

Design studio P&B associati

### Download

DXF 2D  
- cover.dxf

Montaggi  
- cover\_coverlight rev3.pdf



Code	Gear	Kg	Lumen-K-CRI	WTot	Base	Colour
22182371-09	CELL-E	5,50	FL 1x28-2640lm-4000K-Ra 1b	28 W	G5	ARGENTO
22182377-00	CELL	4,85	FL 2x54-4460lm-4000K-Ra 1b	115 W	G5	ARGENTO
22182379-00	CELL	2,20	FLC 2x26D/E-1800lm-4000K-Ra 1b	49 W	G24q-3	ARGENTO
22182372-09	CELL-E	4,50	FL 1x39-3200lm-4000K-Ra 1b	43 W	G5	ARGENTO
22182370-00	CELL	3,70	FL 1x24-1750lm-4000K-Ra 1b	24 W	G5	ARGENTO
22182370-09	CELL-E	4,50	FL 1x24-1750lm-4000K-Ra 1b	24 W	G5	ARGENTO
22182374-00	CELL	3,95	FL 2x21-1750lm-4000K-Ra 1b	51 W	G5	ARGENTO
22182373-09	CELL-E	5,92	FL 1x54-4460lm-4000K-Ra 1b	58 W	G5	ARGENTO
22182373-00	CELL	4,85	FL 1x54-4460lm-4000K-Ra 1b	58 W	G5	ARGENTO
22182375-00	CELL	5,30	FL 2x28-2640lm-4000K-Ra 1b	60 W	G5	ARGENTO
22182372-00	CELL	3,70	FL 1x39-3200lm-4000K-Ra 1b	43 W	G5	ARGENTO
22182371-00	CELL	4,75	FL 1x28-2640lm-4000K-Ra 1b	28 W	G5	ARGENTO
22182376-00	CELL	3,95	FL 2x39-3200lm--	82 W	G5	ARGENTO
22182378-00	CELL	1,30	FLC 1x26D/E-1800lm-4000K-Ra 1b	27 W	G24q-3	ARGENTO

The reported luminous flux is the flux emitted by the light source with a tolerance of  $\pm 10\%$  compared to the indicated value. The W tot column indicates the total wattage absorbed by the system without exceeding 10% of the indicated