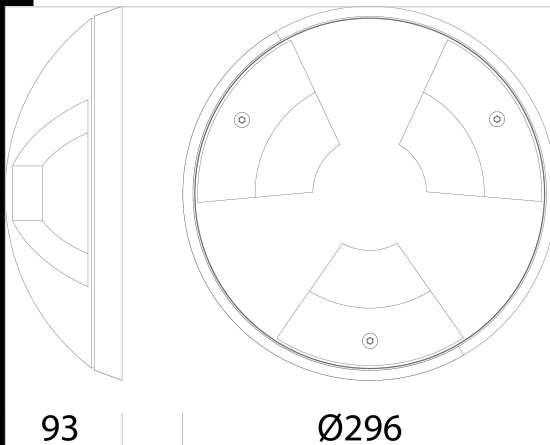
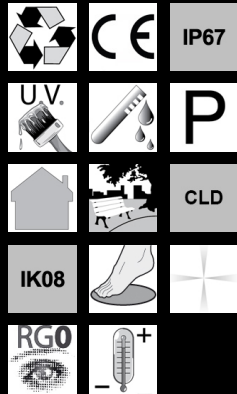


2613 Ground - con schermo e telaio bombato

Corpo/Cornice: in alluminio pressofuso con cornice in alluminio. Diffusore: vetro semisferico, resistente agli shock termici, agli urti. Dotazione: pressacavo in nylon PG11 e predisposizione per la fila continua. Mantenimento del flusso luminoso al 70%: 50.000h (L70B50).



Code	Gear	Kg	Lumen Output-K-CRI	WTot	Colour
530600-00	CLD	2,48	LED COB-1100lm-4000K-CRI 90	20 W	GRAFITE



Download

- DXF 2D  
- 2613.dxf
- 3DS  
- disano\_2613\_ground.3ds
- 3DM  
- disano\_2613\_ground.3dm
- Montaggi  
- ground 05-21.pdf
- BIM  
- 2613 Ground - with convex screen and frame - 20200611.zip

The reported luminous flux is the flux emitted by the light source with a tolerance of ± 10% compared to the indicated value. The W tot column indicates the total wattage absorbed by the system without exceeding 10% of the indicated