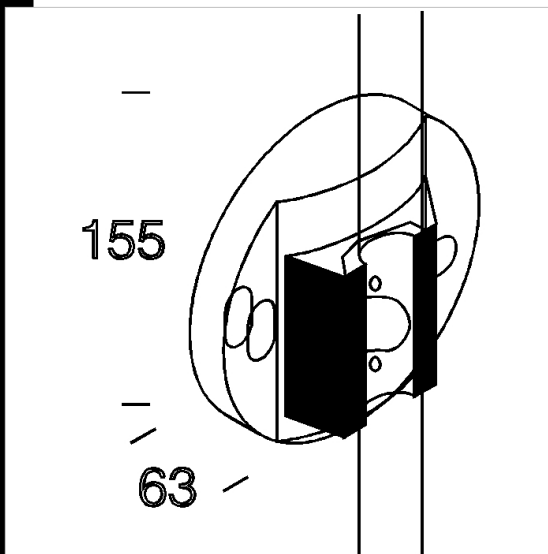
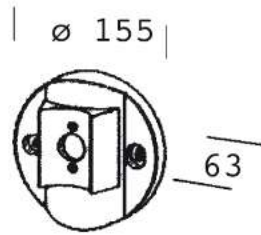


1361 Attacco parete

Composto da un distanziale e da una bassetta, in alluminio pressofuso, verniciatura per cataforesi epossidica, nera e finitura bugnata. Per il montaggio a parete dell'acc. 1363/1362.

Download

- DXF 2D  
- d1361.dxf
- 3DS  
- disano\_1361.3ds
- 3DM  
- disano\_1361.3dm



Code	Kg	WTot	Colour
426987-00	0,64	0 W	GREY9007
426983-00	0,64	0 W	NERO

Prodotti



- 1335 Globo LED anti-

The reported luminous flux is the flux emitted by the light source with a tolerance of  $\pm 10\%$  compared to the indicated value. The W tot column indicates the total wattage absorbed by the system without exceeding 10% of the indicated