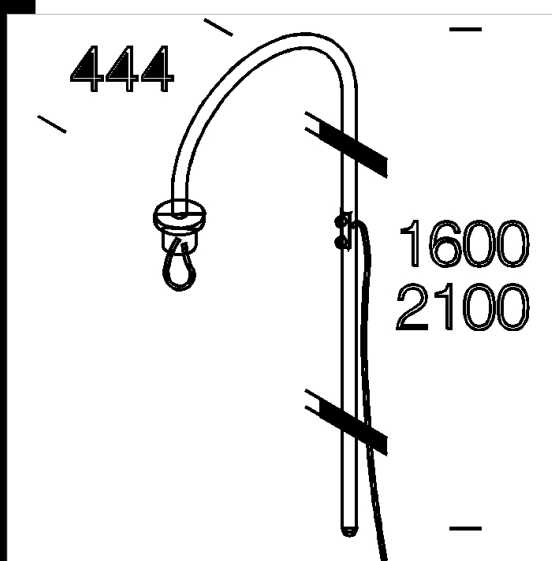
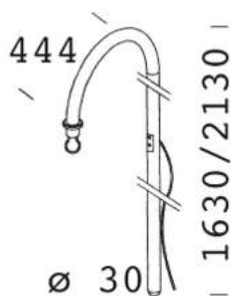


1363 Braccio in giù

In acciaio tropicalizzato Ø 30, verniciatura per cataforesi epossidica, nera e finitura bugnata con resina acrilica.  
Cavo elettrico già inserito al silicone in guaina PVC 3 x 0.75

Download

- DXF 2D  
- d1363.dxf
- 3DS  
- disano\_1363\_426917\_00.3ds
- 3DM  
- disano\_1363\_426917\_00.3dm



Code	Kg	WTot	Colour
426912-00	3,70	0 W	NERO
426911-00	3,10	0 W	NERO
426916-00	3,10	0 W	GREY9007
426917-00	3,70	0 W	GREY9007

Pali



- 1408 Palo rigato ø100 con



- 1409 Palo rigato ø100

Prodotti



- 1320 Base grande



- 1313 Base alluminio - cablaggio CNRL



- 1313 Base alluminio - cablaggio S/CNR

The reported luminous flux is the flux emitted by the light source with a tolerance of ± 10% compared to the indicated value. The W tot column indicates the total wattage absorbed by the system without exceeding 10% of the indicated