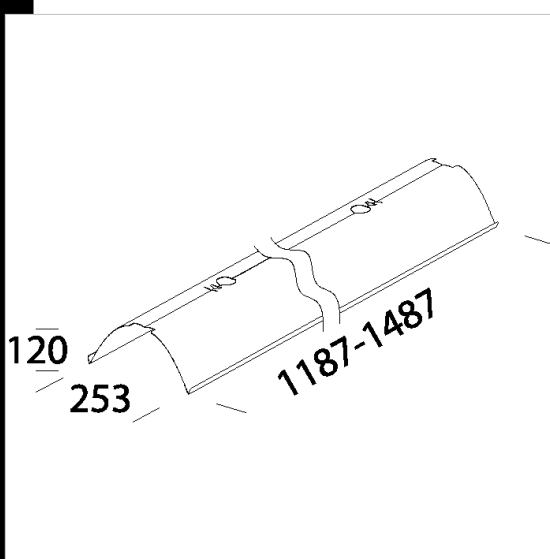


6414 parabola conc. Rapid System

In alluminio speculare 99.85 lucido anodizzato spessore 2μ.



Code	Kg	Lumen-K-CRI	WTot	Base	Colour
237738-00	0,15	2x58---	0 W		ALLUMINIO
237764-00	0,06	FL 2x54---	0 W	G5	ALLUMINIO
237737-00	0,10	2x36---	0 W		ALLUMINIO
237765-00	0,04	FL 1/2x49/80---	0 W		ALLUMINIO
237766-00	0,11		0 W		ALLUMINIO

Prodotti



- 6501 Rapid System - con sezionatore



- 6501 Rapid System T5 - con sezionatore



- 6401 Rapid System T5 - con sezionatore



- 6502 Rapid system - bilampada LED



- 6402 Rapid system - monolampada LED

The reported luminous flux is the flux emitted by the light source with a tolerance of $\pm 10\%$ compared to the indicated value. The W tot column indicates the total wattage absorbed by the system without exceeding 10% of the indicated