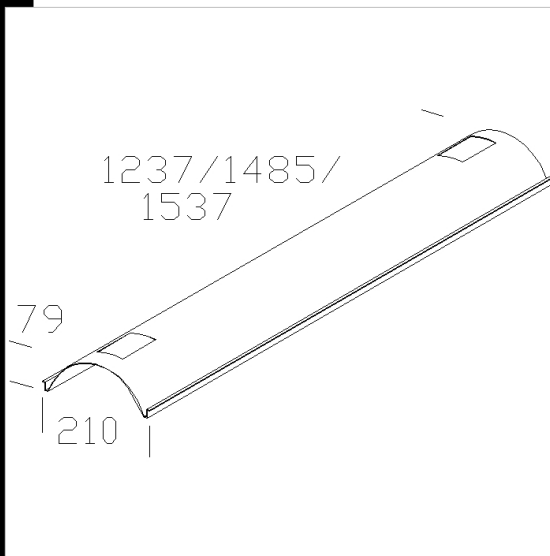


6413 Riflettore concentr. mono

In alluminio speculare 99.85 lucido anodizzato spessore 2μ.



Code	Kg	Lumen-K-CRI	WTot	Base	Colour
237735-00	0,07	1x58---	0 W		ALLUMINIO
237736-00	0,07	1x80---	0 W		ALLUMINIO
237733-00	0,31	FL 1x54---	0 W	G5	ALLUMINIO
237734-00	0,08	1x36---	0 W		ALLUMINIO
237732-00	0,19		0 W		ALLUMINIO

Prodotti



- 6502 Rapid system -
bilampada LED



- 6401 Rapid System T5 - con
sezionatore



- 6402 Rapid system -
monolampada LED



- 6401 Rapid System - con
sezionatore

The reported luminous flux is the flux emitted by the light source with a tolerance of ± 10% compared to the indicated value. The W tot column indicates the total wattage absorbed by the system without exceeding 10% of the indicated