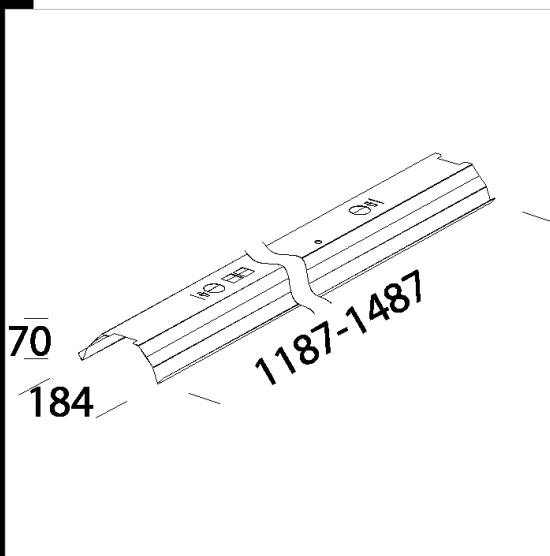
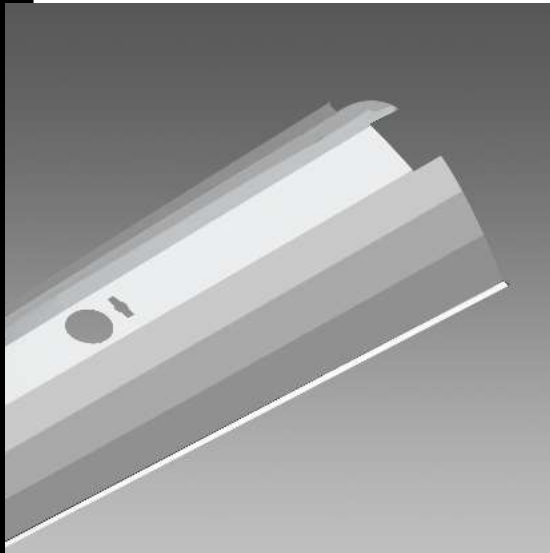


6412 Riflettore mono/bi

In alluminio speculare 99.85 lucido anodizzato spessore 2μ.



Code	Kg	Lumen-K-CRI	WTot	Base	Colour
237730-00	0,40	FL 1/2x54---	0 W		ALLUMINIO
237731-00	0,59	FL 1/2x49/80---	0 W		ALLUMINIO
237729-00	0,18	FL 1x14---	0 W	G5	ALLUMINIO

Prodotti



- 6501 Rapid System T5 - con



- 6502 Rapid system -



- 6401 Rapid System T5 - con



- 6402 Rapid system -

The reported luminous flux is the flux emitted by the light source with a tolerance of $\pm 10\%$ compared to the indicated value. The W tot column indicates the total wattage absorbed by the system without exceeding 10% of the indicated