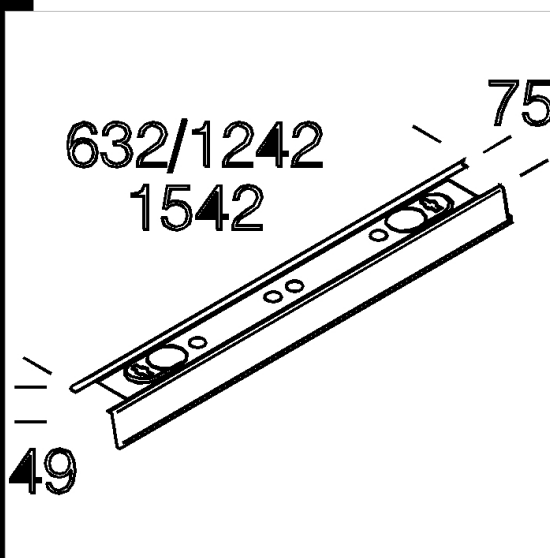


6440 Riflettore angolare mono

In acciaio preverniciato con resina poliesteri bianco.
Applicazioni: banchi di lavoro.



Code	Kg	Lumen-K-CRI	WTot	Base	Colour
237717-00	0,81	FL 1x58-5200lm-4000K-Ra 1b	0 W	G13	BIANCO
237716-00	0,64	FL 1x36-3350lm-4000K-Ra 1b	0 W	G13	BIANCO
237715-00	0,36	FL 1x18-1350lm-4000K-Ra 1b	0 W	G13	BIANCO

Prodotti



- 6401 Rapid System - con



- 6501 Rapid System - con

The reported luminous flux is the flux emitted by the light source with a tolerance of $\pm 10\%$ compared to the indicated value. The W tot column indicates the total wattage absorbed by the system without exceeding 10% of the indicated