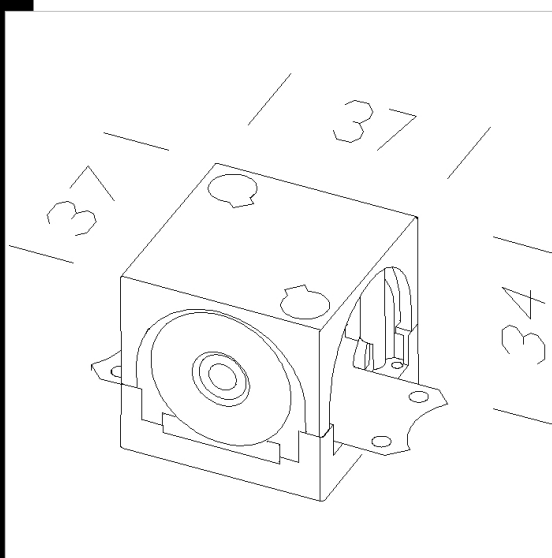




Download

DXF 2D  
- cubolin.dxf



## Cubo di giunzione lineare

Da utilizzare con l'alimentatore e con il cavo acc. 25810.

Code	Kg	WTot	Colour
22025231-00	0,04	0 W	NERO
22025210-00	0,10	0 W	GRIGIO
22025202-00	0,04	0 W	BIANCO

The reported luminous flux is the flux emitted by the light source with a tolerance of  $\pm 10\%$  compared to the indicated value. The W tot column indicates the total wattage absorbed by the system without exceeding 10% of the indicated