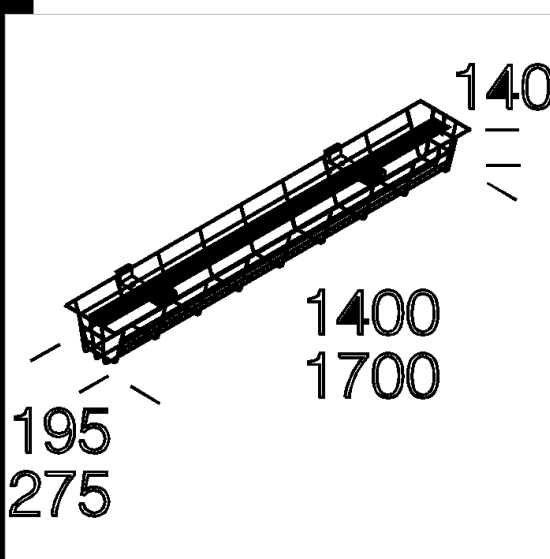
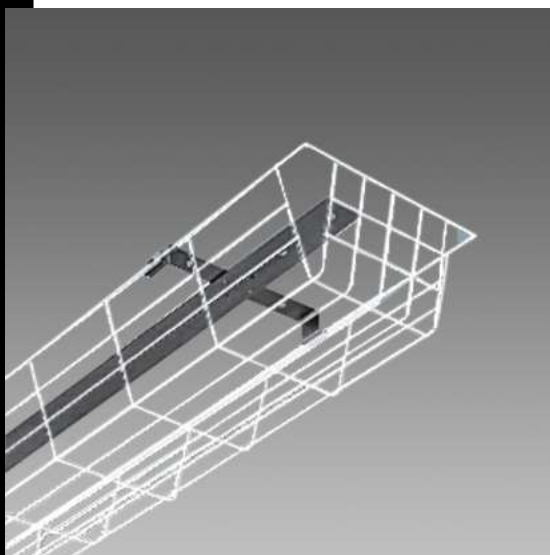


## 975 Gabbia antiurti

In tondino di acciaio plastificato bianco.  
Gabbia antiurti da fissare direttamente a plafone.



Code	Kg	Lumen-K-CRI	WTot	Base	Colour
165566-00	1,20	FL 2x36-3350lm-4000K-Ra 1b	0 W	G13	BIANCO
165567-00	1,00	FL 2x58-5200lm-4000K-Ra 1b	0 W	G13	BIANCO
165565-00	0,90	FL 1x58-5200lm-4000K-Ra 1b	0 W	G13	BIANCO
165564-00	0,80	FL 1x36-3350lm-4000K-Ra 1b	0 W	G13	BIANCO

### Prodotti



### Download

DXF 2D  
- d975.dxf

The reported luminous flux is the flux emitted by the light source with a tolerance of  $\pm 10\%$  compared to the indicated value. The W tot column indicates the total wattage absorbed by the system without exceeding 10% of the indicated