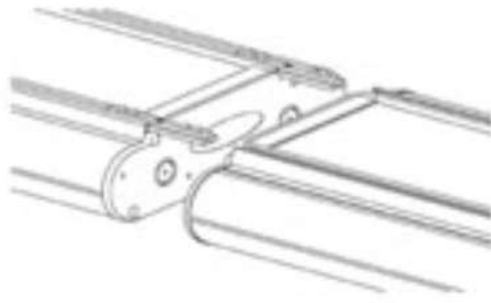


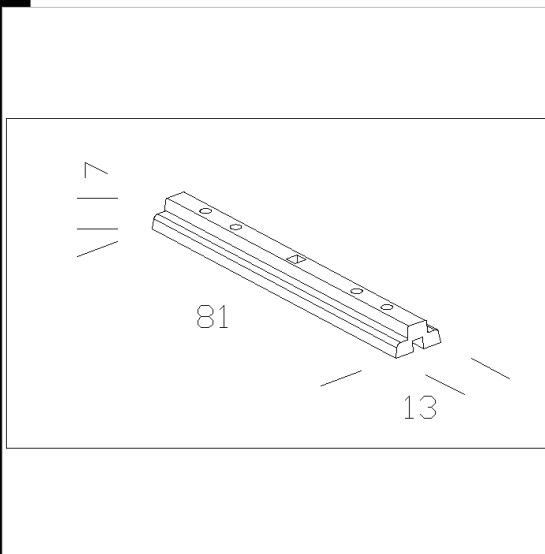
2290 giunto lineare

Per la giunzione lineare.



Download

DXF 2D
- 2290.dxf



| Code | Kg | WTot | Colour |
|-----------|------|------|----------|
| 143997-00 | 0,09 | 0 W | NATURALE |

Prodotti



- 3877 Channel - luce diretta



- 3878 Channel - luce diretta e



- 2233 Giano 2 T5 - Bilampada

The reported luminous flux is the flux emitted by the light source with a tolerance of $\pm 10\%$ compared to the indicated value. The W tot column indicates the total wattage absorbed by the system without exceeding 10% of the indicated