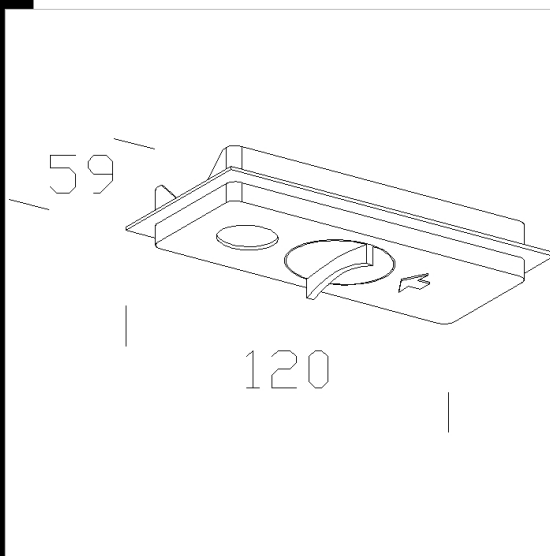


6099 Scatola derivazione

In policarbonato autoestinguente.
Permette l'aggancio rapido al canalecon stringicavo per il passaggio di corrente per tutti gli apparecchi Disano.



Code	Kg	WTot	Colour
132946-00	0,08	0 W	GRIGIO

Download

DXF 2D
- d6099.dxf

The reported luminous flux is the flux emitted by the light source with a tolerance of $\pm 10\%$ compared to the indicated value. The W tot column indicates the total wattage absorbed by the system without exceeding 10% of the indicated